

GSDY-TRAS Ultra Heavy Duty Levelling Glide (With Swivel)

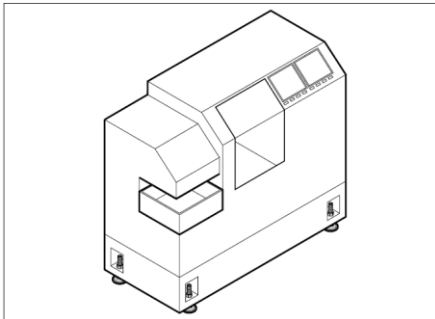
Features

- Levelling glide subject to galling preventive treatment
- Swivels approximately 40° to compensate for uneven floors. Also, load is distributed evenly for excellent durability
- Threaded bolt with trapezoidal screw thread Tr42 ~ Tr60 available
- Steel models also available on made-to-order basis (MOQ 10 pcs)

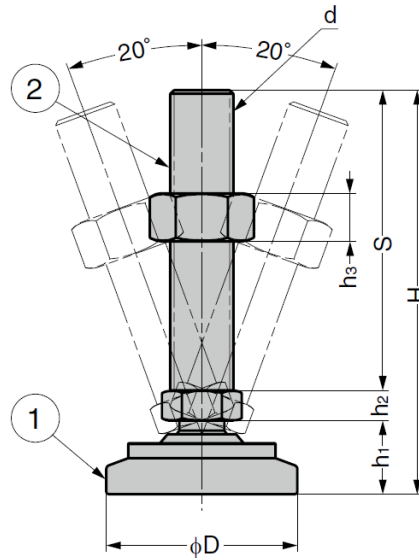
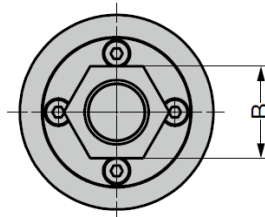
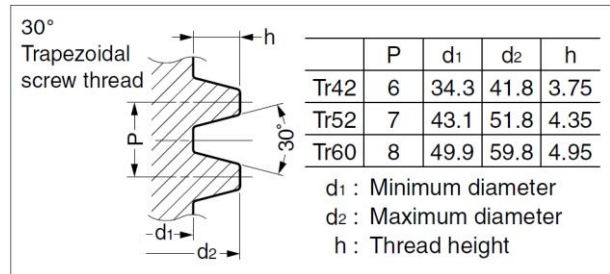
Sold Separately

- Installation plate **GSDY-L**

Application Example



| No. | Part Name | Material | Finish |
|-----|---------------|-----------------------------|----------|
| ① | Body | Stainless Steel (SUS304) | Polished |
| ② | Threaded Bolt | | |



| Part No. | d | D | H | h ₁ | h ₂ | h ₃ | S | B | Load Capacity (per piece) | |
|------------------|------|-----|-----|----------------|----------------|----------------|-----|----|---------------------------|-----------|
| GSDY-TRAS-42-200 | Tr42 | 127 | 269 | 49 | 20 | 32 | 200 | 60 | 63,700 N | 6,500 kg |
| GSDY-TRAS-42-300 | | | 369 | | | | 300 | | | |
| GSDY-TRAS-52-200 | Tr52 | 137 | 227 | 55 | 22 | 42 | 200 | 80 | 88,200 N | 9,000 kg |
| GSDY-TRAS-52-300 | | | 377 | | | | 300 | | | |
| GSDY-TRAS-60-200 | Tr60 | 147 | 291 | 67 | 24 | 48 | 200 | 90 | 107,800 N | 11,000 kg |
| GSDY-TRAS-60-300 | | | 391 | | | | 300 | | | |

GSDY-L Installation Plate

Features

- For GSDY-TRSB, GSDY-TRAS, GSDY-MS (for M42)
- Metric screw thread and trapezoidal screw thread available
- Steel models (nickel plating) also available on request (made-to-order, MOQ 10 pcs)

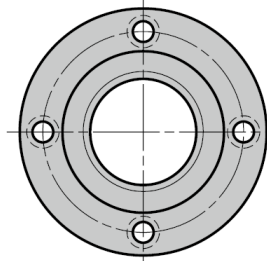
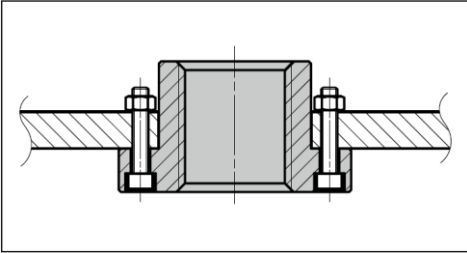
Material

- Brass, nickel finish

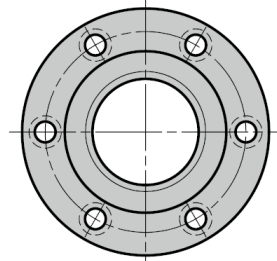
Recommended Screws

- Hexagon socket head cap screw M8

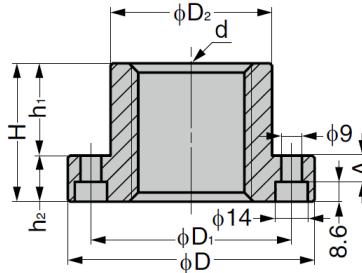
Installation



GSDY-LMB-42
GSDY-LTB-42



GSDY-LMB-52
GSDY-LMB-60
GSDY-LTB-52
GSDY-LTB-60



| Part No. | d | D | D ₁ | D ₂ | H | h ₁ | h ₂ | A |
|--------------------|-----------------------------------|-----|----------------|----------------|----|----------------|----------------|------|
| GSDY-LMB-42 | Metric Screw Thread (M42) | 97 | 77 | 60 | 40 | 22 | 18 | 9.4 |
| GSDY-LMB-52 | Metric Screw Thread (M52) | 107 | 87 | 70 | 50 | 30 | 20 | 11.4 |
| GSDY-LMB-60 | Metric Screw Thread (M60) | 117 | 97 | 80 | 60 | 40 | | |
| GSDY-LTB-42 | Trapezoidal Screw Thread (Tr42×6) | 97 | 77 | 60 | 50 | 32 | 18 | 9.4 |
| GSDY-LTB-52 | Trapezoidal Screw Thread (Tr52×7) | 107 | 87 | 70 | 60 | 40 | 20 | 11.4 |
| GSDY-LTB-60 | Trapezoidal Screw Thread (Tr60×8) | 117 | 97 | 80 | 70 | 50 | | |